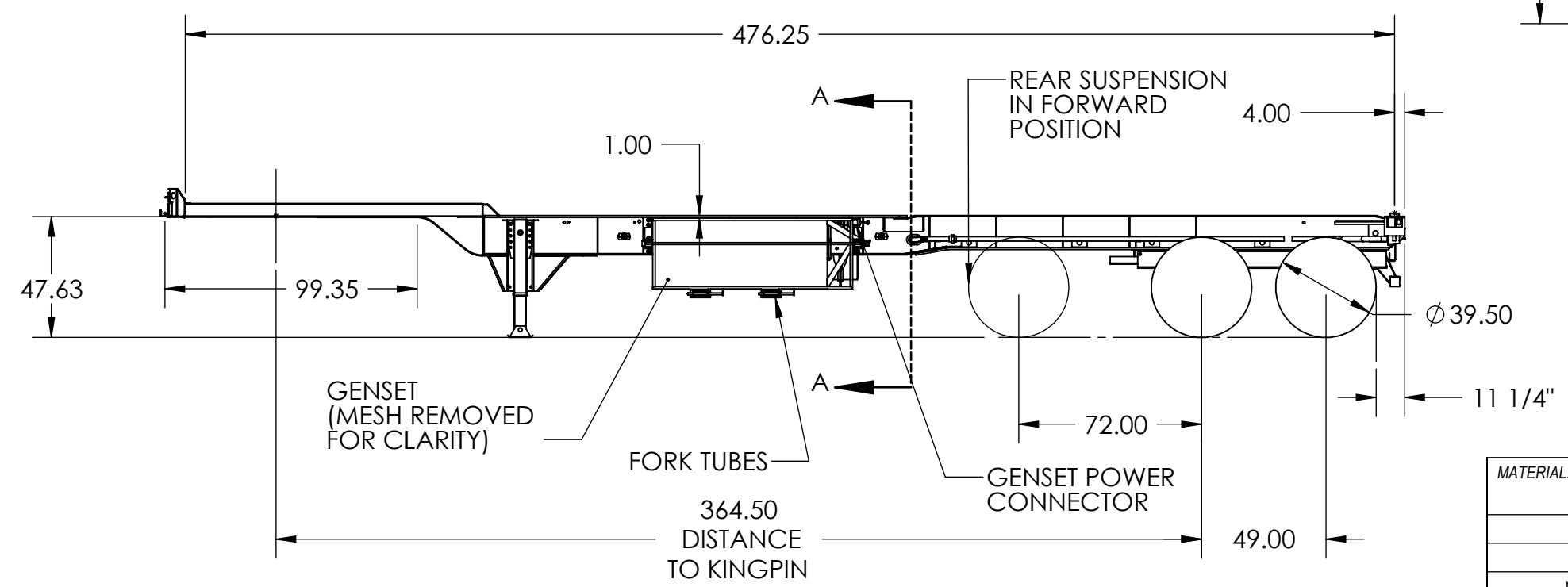
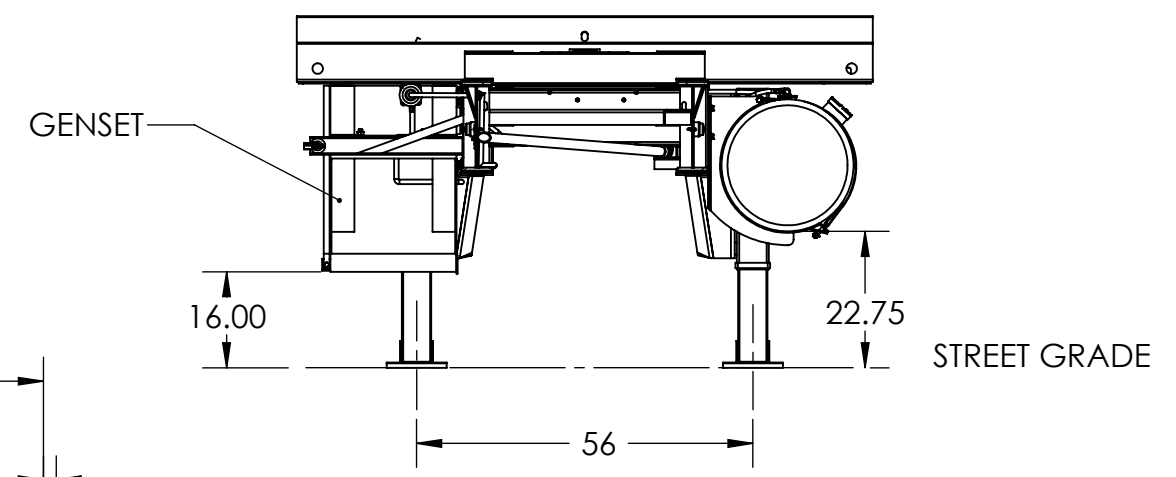
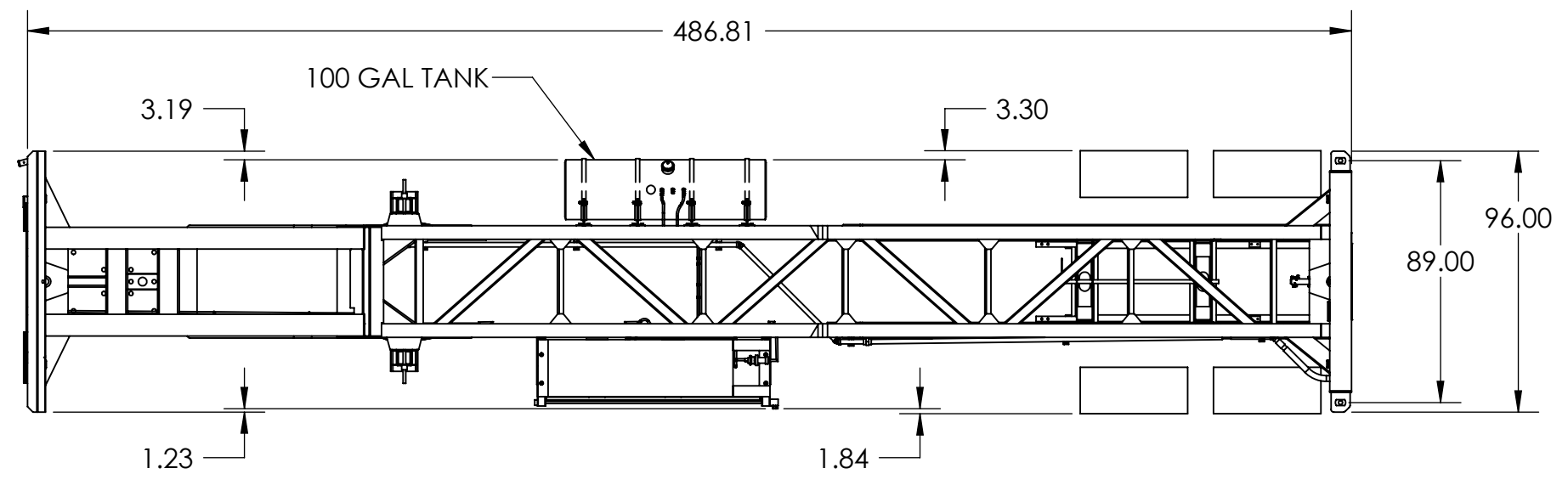


ESTIMATED TARE WT:  
 CHASSIS: 3.63 MT  
 GENSET: .7 MT  
 TANK/FUEL .45 MT  
 TOTAL 4.78 MT



|  |           |  |                   |                                 |         |
|--|-----------|--|-------------------|---------------------------------|---------|
| MATERIAL:  |           |  |                   | TITLE:<br>SPECIFICATION DRAWING |         |
| ----   |           |  |                   |                                 |         |
| NLA  | NAME      | DATE   | SIZE DWG. NO. REV |                                 |         |
| 300A022  | DRAWN JFF | 6/28/2010  |                   |                                 |         |
| UNLESS OTHERWISE SPECIFIED:<br>DIMENSIONS ARE IN INCHES<br>TOLERANCES:<br>FRACTIONAL ± 1/16<br>ANGULAR: ± 0.5 DEG<br>.X ± .06; .XX ± .015; .XXX ± .005 |           | CHECKED JM   | 6/28/2010         | B 300A170 A                     |         |
| DO NOT SCALE DRAWING   |           | PROPRIETARY AND CONFIDENTIAL<br>THE INFORMATION CONTAINED IN THIS DRAWING IS THE SOLE PROPERTY OF RAILRUNNER. ANY USE OF THIS INFORMATION FOR THE MANUFACTURE OR SALE OF GOODS OR SERVICES OR ANY REPRODUCTION IN PART OR IN WHOLE WITHOUT THE WRITTEN PERMISSION OF RAILRUNNER IS STRICTLY PROHIBITED |                   | SCALE: 1:60                     | WEIGHT: |
|  |           |  |                   | SHEET 1 OF 1                    |         |