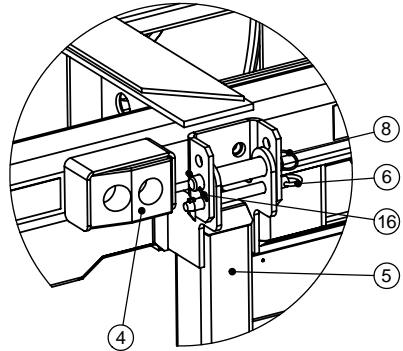
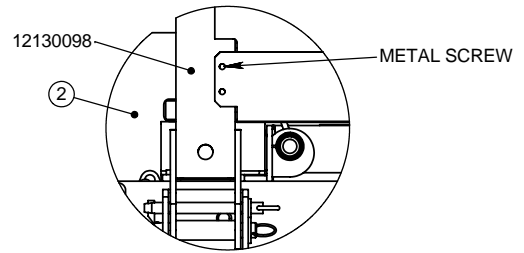


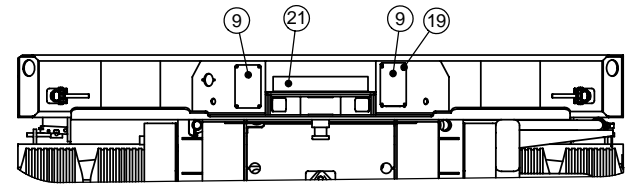
DETAIL A
SCALE 1 : 25



DETAIL C
SCALE 1 : 10



DETAIL D
SCALE 1 : 10



DETAIL B
SCALE 1 : 25

MATERIAL:				TITLE: 53' CHASSIS, GENERAL ARANGEMENT		

NLA	---	NAME	DATE	SIZE	DWG. NO.	
000000-00	DRAWN		10/22/2008	B	11830147	
UNLESS OTHERWISE SPECIFIED: DIMENSIONS ARE IN INCHES TOLERANCES: FRACTIONAL ± 1/16 ANGULAR: ± 0.5 DEG THREE PLACE DECIMAL ± .005 DO NOT SCALE DRAWING	CHECKED		10/28/2008	SCALE: 1:62	WEIGHT:	
	PROPRIETARY AND CONFIDENTIAL THE INFORMATION CONTAINED IN THIS DRAWING IS THE SOLE PROPERTY OF RAILRUNNER. ANY USE OF THIS INFORMATION FOR THE MANUFACTURE OR SALE OF GOODS OR SERVICE S OR ANY REPRODUCTION IN PART OR IN WHOLE WITHOUT THE WRITTEN PERMISSION OF RAILRUNNER IS STRICTLY PROHIBITED.				REV	SHEET 2 OF 2
					A	